

7. When final zero is achieved, reinstall boresighter with stud into muzzle. (Be sure gun has been cleared and is safe) and note position of scope reticle on grid pattern. If your scope is knocked out of alignment or has been demounted, it is only necessary to reset the windage and elevation adjustments to the same point on the grid pattern.

FIREARM SAFETY DEPENDS ON YOU.

1. Always keep the muzzle pointed in a safe direction.
2. Firearms should be unloaded when not actually in use.
3. Be sure of your target and what is beyond it.
4. Use correct ammunition.
5. Always wear eye and ear protection when shooting.
6. Be sure the barrel is clear of obstruction before shooting.
7. Learn the mechanical and handling characteristics of the firearm you are using.

*This information has been provided by:
Sporting Arms and Ammunition Manufacturer's Institute Inc
555 Danbury Road, Wilton, CT 06897*

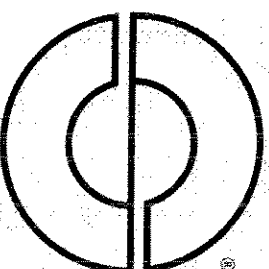


PRINTED IN TAIWAN

SOC-446

BORESIGHTER INSTRUCTIONS

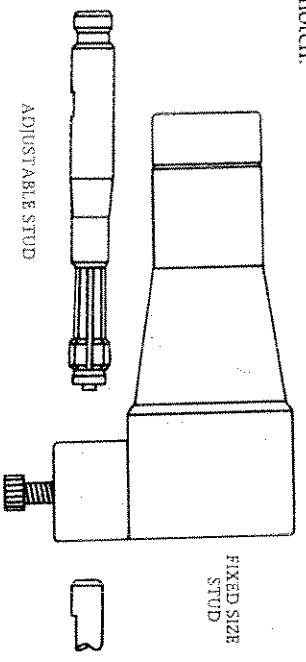
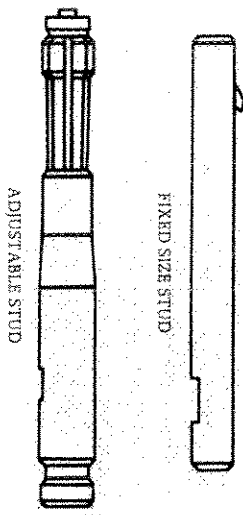
*These instructions apply to
all Simmons Boresighters.*



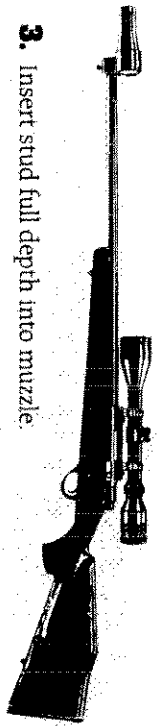
SIMMONS

CAUTION
 Sure action is open clip on
 magazine removed and a round is in
 the chamber. Do Not proceed until the
 chamber has been cleared and determined to be safe.

1. Select the correct size stud for your rifle or pistol. On fixed sized studs the caliber or metric (mm) size is stamped in the notch. Adjustable studs are marked, S (22-270), M (7mm-35), L (35-45) and XL (50). * NOTE: 22 caliber equals 5.6mm; 30 caliber equals 7.62mm; 6mm equals 243 caliber and 7mm equals 280 caliber.

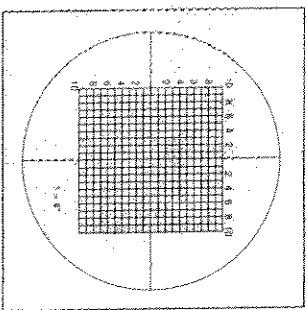


2. Insert stud (notch down) into the boresighter vee block. Tighten clamp screw. Be sure clamp screw engages the stud notch.



3. Insert stud full depth into muzzle.

4. Sight through scope. NOTE: Attitude of boresighter grid pattern in relation to the scope's reticle. Rotate bore sighter as needed to align grid pattern horizontally and vertically with the scope reticle.



5. Adjust windage and elevation screws to bring scope reticle into register with grid pattern center lines. NOTE: If you have windage adjustable rings, adjust the rear ring to center windage on grid pattern. The boresighter reverses the image, that is seen through the riflescope. Therefore adjustments must be made opposite of what is indicated. (I.e. If a left adjustment is indicated, turn the windage screw counterclockwise for an adjustment to the right).

6. Remove boresighter and stud from muzzle.

The scope should now be sufficiently aligned with the bore to finalize zeroing, using live ammunition at a range or other safe area.

...continued on back